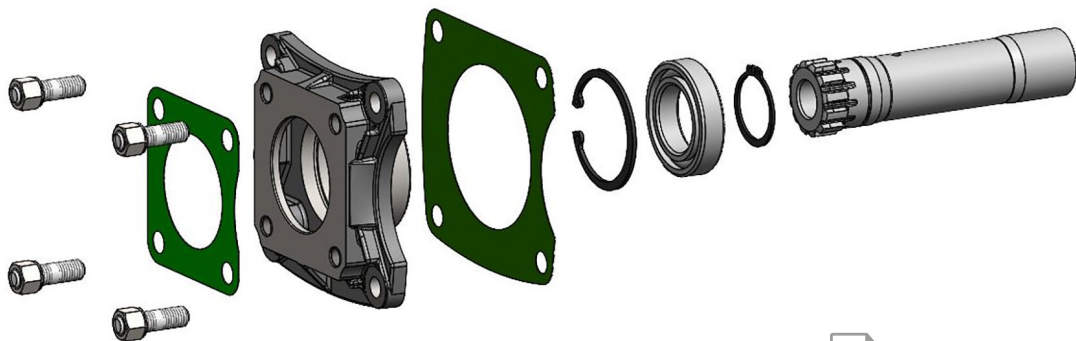


Reinforced quill shaft for Eaton Endurant XD / XD PRO

We are pleased to inform you that a new **reinforced** quill shaft for EATON gearbox series ENDURANT XD /XD PRO is now available. The new quill shaft allows the installation of our entire range of rear mounting PTO's.

Ordering code: 09305200057



Link:
[Data sheet](#)

Dimensions

